

# VDH Series 38 kV



ISO 9001:2015

**Vacuum Substation Circuit Breakers**  
**1200 to 3000 A - 25 to 40 kA**

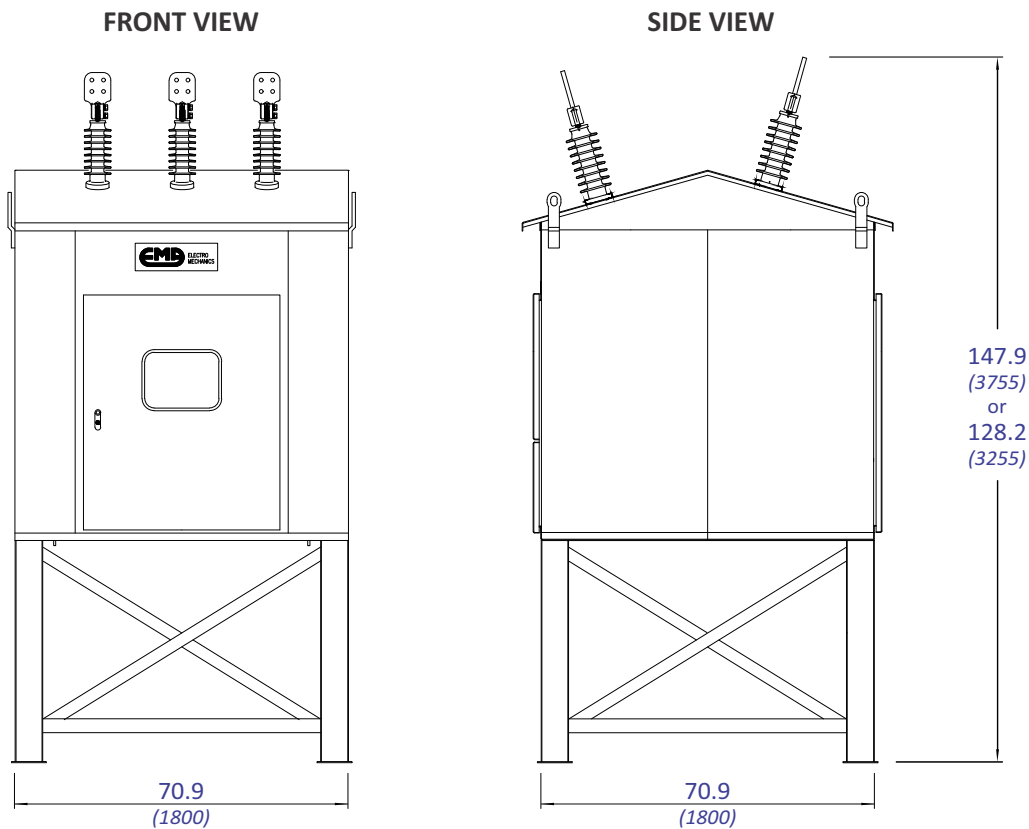
# EMD VDH Series Electrical Ratings and Applications

Designation Code	Rated Maximum Voltage	Rated Continuous Current	Rated Symmetrical Interrupting Capability	Rated Short-Time Current (RMS)	Rated Closing and Latching Current (peak)	Dielectric Strength Power Frequency	Dielectric Strength Impulse Full Wave (BIL)	Rated Frequency	Rated Closing Time	Rated Opening Time	Rated Arcing Time
	kV	A	kA	kA (3 sec)	kA	kV	kV	Hz	msec	msec	msec
38.12.25	38	1200	25	25	65	80	200	50/60	<45	≤30	4 / 11
38.12.32			31.5	31.5	82						
38.12.40			40	40	104						
38.20.32	38	2000	31.5	31.5	82						
38.20.40			40	40	104						
38.30.32	38	3000	31.5	31.5	82						
38.30.40			40	40	104						

VDH Series is a metal enclosed, free standing three-pole outdoor **vacuum** circuit breaker for power substations up to **38 kV**.

**2000 A** and **3000 A** current ratings are typically required for both **main bus breaker** and **bus-tie breaker** applications while the **1200 A** rating is typically used for both **feeder breaker** and **capacitor bank breaker** applications.

## EMD VDH Series Dimensions and Weight



DIMENSIONS in inches (mm) • AVERAGE WEIGHT: 3100 pounds (1405 kg)

1003aE 10/2020 DV/CO



© EMA Electromechanics, Inc. 2020 - All rights reserved - Specifications and dimensions are subject to change without notice